



Elektrisk

# Mining Dump truck

Nordkust HT66B

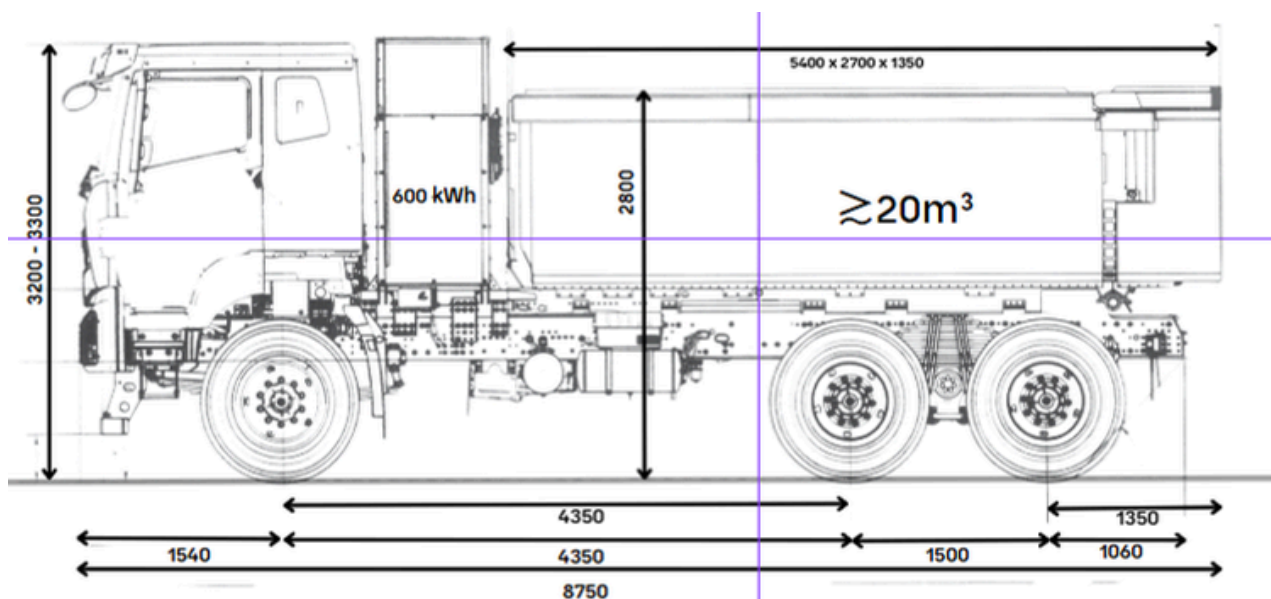


# Specifikation HT66B

## Utrustning

HT66B är här utrustad med SLP:s välbeprövade dumperflak anpassat för krävande gruvmiljöer.

- Bakåttippande slätsidigt dumperflak
- Flakbotten 16mm HARDOX 450
- Inv. flaksidor 8mm HARDOX 450
- Framstam 8mm HARDOX 450
- Hydrauliskt övre bakläm för malmflak
- Undermonterad dubbel tippcylinder
- Frontmonterad hydraultank i rostfritt stål
- Sidoskydd och underkörningsskydd i aluminium
- Gummi kantskydd hela sidan
- Hängande gummimattor sidoskydd



# Datablad HT66B-600-SLP

<b>General</b>	Drive Type	6×4	
	Cab Type	ROPS/FOPS	
	Cargo Inner-Dimensions (L×W×H) (mm)	5400*2600*1350	
	Chassis Dimensions (L×W×H) (mm)	8750×2550×3275	
	Wheelbase (mm)	4350+1400	
	Front/Rear Overhang (mm)	1540/1600	
	Chassis Curb Weight (kg)	14 600	
	Gross Vehicle Weight (kg)	65 000	
Maximum Speed (km/h)	50		
<b>Cab</b>	Cab Model	CB329 flat	
	Video Surveillance System	360° Camera system	
	Cab Suspension	Coil spring Four-Point Suspension	
	Other Configurations	Steering wheel heater、DAB+radio	
<b>Chassi</b>	<b>Drive Motor</b>	Type	Permanent Magnet Synchronous
		Model	EM310H46-A
		Rated/Peak Power (kW)	315/460
		Rated/Peak Torque (Nm)	1650/2900Nm
	Manufacturer	Lvkon	
	<b>Transmission</b>	Number of Gears/Type	4AMT
		Manufacturer	Lvkon
	<b>Power Battery</b>	Type	Lithium Iron Phosphate Battery
		Rated Capacity (kWh)	600
		Manufacturer	CATL
		Layout charging type	back of the cab charging CCS2
	<b>Thermal Management</b>	Battery Heating & AC Warm Air	PTC
	<b>Frame</b>	Basic Dimensions (mm)	940-860/316×(8+8+4)
<b>Front Axle</b>	load	10t	
	additional Configuration Manufacturer	Parking Brake Added SANY	
<b>Middle/Rear Axle</b>	load	23t+23t	
	Manufacturer	SANY	
<b>Suspension System</b>	Balancer Shaft Assembly Type	T80	
	Leaf Spring	10/10/14	
<b>Rim</b>	Material	Steel	
	Specification	8.75 Reinforced Rim	
<b>Tire</b>	Type	All-Steel Radial Tire (Mine Pattern)	
	Specification	12.00R20	
	Quantity	12	
<b>Breaking System</b>	Type	Pneumatic Dual-Circuit, Front/Rear Drum Brakes ABS+ASR+ESC	

Observera all information i detta datablad är preliminär.

# Vill du veta mer?

Kontakta oss idag



**Johan Gustafsson**

Mobil: 072 - 599 19 11  
Mail: [johan@nordkustmaskin.se](mailto:johan@nordkustmaskin.se)



**Linda Dittrich**

Mobil: 070 - 271 77 92  
Mail: [linda@nordkustmaskin.se](mailto:linda@nordkustmaskin.se)

---

Nordkust Maskin AB  
Industrivägen 10  
972 54 Luleå

Telefon: 0920- 889 91

[www.nordkustmaskin.se](http://www.nordkustmaskin.se)

