



Elektrisk

Mining Dump truck

Nordkust HT77B

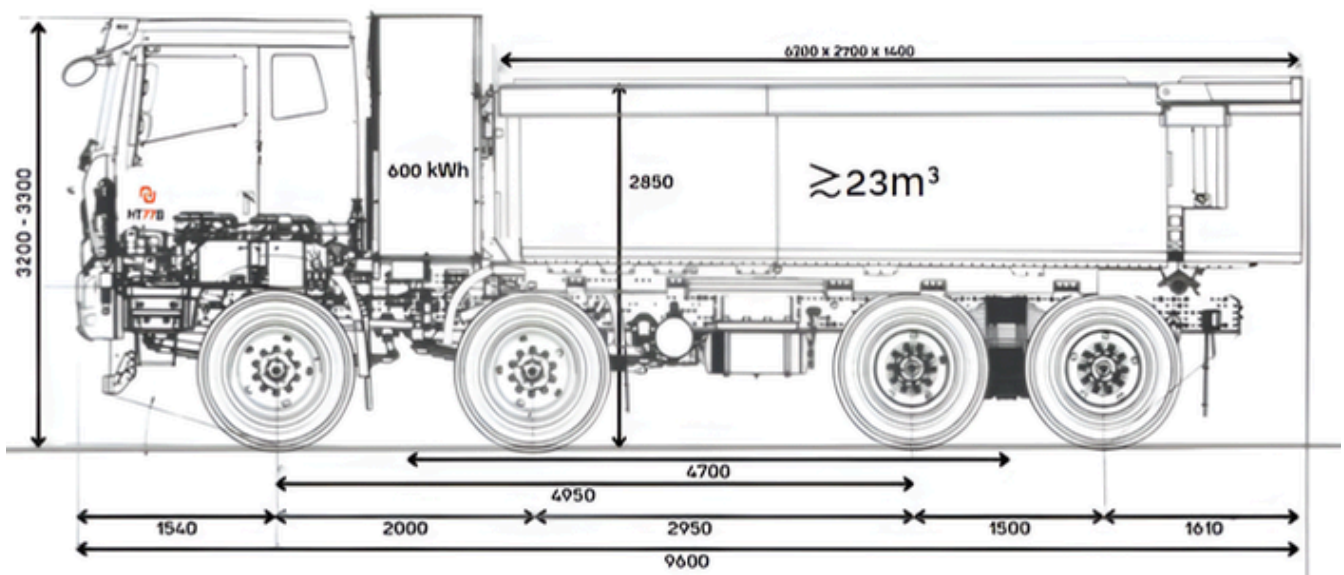


Specifikation HT77B

Utrustning

HT77B är här utrustad med SLP:s välbeprövade dumperflak anpassat för krävande gruvmiljöer.

- Bakåttippande slätsidigt dumperflak
- Flakbotten 16mm HARDOX 450
- Inv. flaksidor 8mm HARDOX 450
- Framstam 8mm HARDOX 450
- Hydrauliskt övre bakläm för malmflak
- Undermonterad dubbel tippcylinder
- Frontmonterad hydraultank i rostfritt stål
- Sidoskydd och underkörningsskydd i aluminium
- Gummi kantskydd hela sidan
- Hängande gummimattor sideskydd



Datablad HT77B-600-SLP

General	Drive Type	8×4	
	Cab Type	ROPS/FOPS	
	Cargo Inner-Dimensions (L×W×H) (mm)	6200*2600*1400	
	Chassis Dimensions (L×W×H) (mm)	9600×2550×3275	
	Wheelbase (mm)	2000+2950+1400	
	Front/Rear Overhang (mm)	1540/1610	
	Chassis Curb Weight (kg)	16 400	
	Gross Vehicle Weight (kg)	75 000	
Maximum Speed (km/h)	50		
Cab	Cab Model	CB329 flat	
	Video Surveillance System	360° Camera system	
	Cab Suspension	Coil spring Four-Point Suspension	
	Other Configurations	Steering wheel heater、DAB+radio	
Chassi	Drive Motor	Type	Permanent Magnet Synchronous
		Model	EM310H46-A
		Rated/Peak Power (kW)	315/460
		Rated/Peak Torque (Nm)	1650/2900Nm
	Manufacturer	Lvkon	
	Transmission	Number of Gears/Type	4AMT
		Manufacturer	Lvkon
	Power Battery	Type	Lithium Iron Phosphate Battery
		Rated Capacity (kWh)	600
		Manufacturer	CATL
		Layout charging type	back of the cab charging CCS2
	Thermal Management	Battery Heating & AC Warm Air	PTC
	Frame	Basic Dimensions (mm)	940-860/316×(8+8+4)
Front Axle	load	10t+10t	
	additional Configuration Manufacturer	Parking Brake Added SANY	
Middle/Rear Axle	load	23t+23t	
	Manufacturer	SANY	
Suspension System	Balancer Shaft Assembly Type	T80	
	Leaf Spring	10/10/14	
Rim	Material	Steel	
	Specification	8.75 Reinforced Rim	
Tire	Type	All-Steel Radial Tire (Mine Pattern)	
	Specification	12.00R20	
	Quantity	12	
Breaking System	Type	Pneumatic Dual-Circuit, Front/Rear Drum Brakes ABS+ASR+ESC	

Observera all information i detta datablad är preliminär.

Vill du veta mer?

Kontakta oss idag



Johan Gustafsson

Mobil: 072 - 599 19 11
Mail: johan@nordkustmaskin.se



Linda Dittrich

Mobil: 070 - 271 77 92
Mail: linda@nordkustmaskin.se

Nordkust Maskin AB
Industrivägen 10
972 54 Luleå

Telefon: 0920- 889 91

www.nordkustmaskin.se

